

- Standard Equipment
- Optional Equipment
- N/A

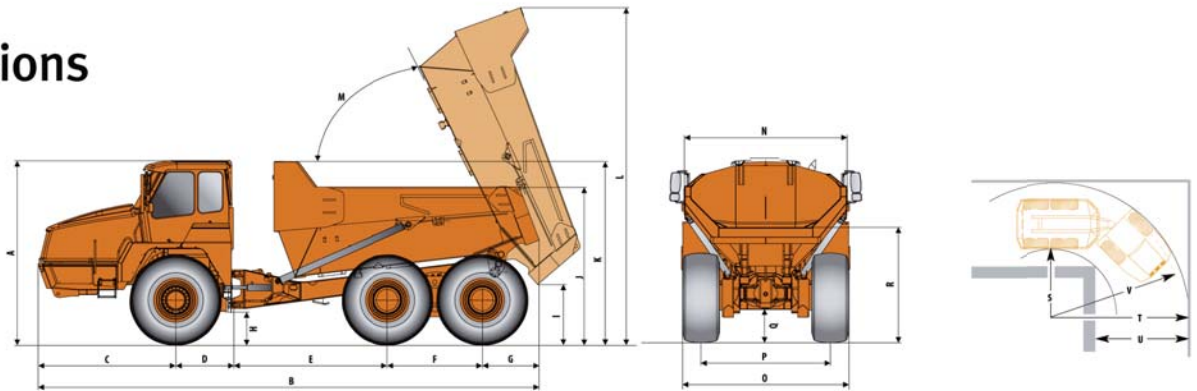
Standard/Optional Equipment

	MDT30	MDT40
ENGINE		
Emissions (EPA)	Tier 2 (T4 optional)	
Selective Catalyst Reduction (SCR)	•	•
Diesel Exhaust Fluid (DEF)	•	•
High Pressure Common Rail (HPCR)	•	•
Fuel Filter with Water Separator	•	•
Coolant Recovery Tank	•	•
Dual Element dry-type air filter with Evacuator	•	•
Electronic Engine Control	•	•
Cool Down Mode	•	•
HYDRAULIC		
Variable Displacement Axial Piston	•	•
Variable Speed Hydraulic Cooling Fan	•	•
Emergency steering pump (Ground-driven)	•	•
- Variable Displacement Radial Piston		
ELECTRICAL		
Alternator - 24V, 100 AMP	•	•
2 x 12V Batteries 140Ah Reserve Capacity	•	•
Blade Type Fuse Panel	•	•
Work Lights (Front & Rear)	■	■
Work lights - LED (Front & Rear)	■	■
Rotating Beacon	■	■
Hour Meter	•	•
Rear View Camera	•	•
Laptop Service Port	•	•
Telematics	•	•
Diesel Powered Coolant Heater	■	■
Block Heater	■	■
Emergency Shutdown Switch	•	•
CABIN		
Steel, All-Weather & Sound Suppressed	•	•
ROPS (ISO 3471)	•	•
FOPS (ISO 3449)	•	•
Front Window with Wiper/Washer	•	•
Tinted Safety Glass	•	•
Retractable roller sunblind	•	•
Adjustable Sliding Side Door Window	•	•
Defrost	•	•
Lockable Doors	•	•
Seat		
- Air Suspension		
- 2" (51 mm) Seat Belt	•	•
- Adjustable Height	•	•
- Adjustable Recline	•	•
- Adjustable Fore/Aft	•	•
- Adjustable Arm Rests	•	•
Seat - Heated	■	■
Instructors Seat, folding	•	•
Storage for Operator's Manuals	•	•
Mirrors		
- Interior Rear View	•	•
- Exterior	•	•
Mirror, Heated Exterior	■	■
Fully Adjustable HVAC	•	•
Multi-Function LCD Display	•	•
Cigarette lighter	•	•
AM/FM Stereo with CD Player & MP3 port	•	•
Speakers (2)	•	•
Antenna	•	•
Space for cooler box	•	•
Storage	•	•
Power Socket, 12V	•	•
Beverage Holder	•	•
Interior Light	•	•
Guard, Rear Window	•	•
Cab tilting system	•	•
CONTROLS		
Adjustable steering column		
- Tilting	•	•
- Telescoping	•	•
- RPM	•	•
- Speedometer	•	•
- Engine Coolant Temperature	•	•
- Transmission Oil Temperature	•	•
FRAME & SUSPENSION		
Articulation hinge	•	•
Steering Cylinder, Double-acting (2)	•	•
- Cushion, Retracting		
Turning ring, Forward-mounted	•	•
Towing hook, front and rear	•	•
Sloping Rear Frame	•	•
Semi-independent rubber spring & shock absorbers (Front)	•	-
Semi-independent gas-hydraulic (Front)	-	•
Tires - Radial, 23.5 R25	•	-
Tires - Radial, 29.5 R25	-	•

	MDT30	MDT40
DISPLAY MONITOR & WARNINGS		
- Fuel Level	•	•
Body Control Lever	•	•
Gear Selector Joystick	•	•
Throttle pedal (accelerator)	•	•
Brake Pedal	•	•
Gauges		
- RPM	•	•
- Speedometer	•	•
- Engine Coolant Temperature	•	•
- Transmission Oil Temperature	•	•
- Retarder Oil Temperature	•	•
- Fuel Level	•	•
- DEF Level		
- Transmission Gear Indicator		
- Hour Meter		
- Fuel Consumption		
- Trip Meter		
Warning & Indicator Lights		
- Engine Coolant Level & Temp	•	•
- Engine Oil Pressure	•	•
- Air Filter	•	•
- Transmission Oil Temp	•	•
- Retarder Oil Temp	•	•
- Fuel Level	•	•
- DEF Level	•	•
- Transmission Lock-Up	•	•
- Transmission Mode	•	•
- Retarder Brake		
- Engine Brake		
- Emergency Steering		
- Lubrication System		
- Battery Charge		
- Error Code		
- Seat Belt		
- Body Down		
- Direction Signal		
- Lights (High, Main, Work, Beacon)		
DRIVELINE		
Transmission		
- Automatic	•	•
- Electronic Shift Control		
- Torque Converter Lock-up Clutch		
Full-time 6x6 Drive	•	•
Tandem Rear Bogey		
- Gear Driven	•	•
- Free-swinging		
Driveline Interaxle Differential		
- 1/3 Front, 2/3 Rear	•	•
- Torque Divider, 100% Locking Ratio		
Front axle transverse differential		
- Limited-slip, 45% locking ratio	•	•
Rear axle transverse differential (1)		
- Limited-slip, 45% locking ratio	-	•
Rear axle transverse differential (1)		
- Clutch-engaged, torque dependent locking ratio	•	-
BODY		
Body, High tensile HB400 steel	•	•
Body (none)	■	■
Lifting Cylinder, Double-acting (2)	•	•
- Cushion, Extending		
Tailgate, Scissor Type	•	•
Tailgate (none)	■	■
Spill guard on front of body	•	•
Body heating kit	■	■
Body Heating Ready	•	•
Body lining standard	■	■
Body lining full	■	■
Side extensions	■	■
Payload meter	•	•
BRAKES		
Dual circuit braking system	•	•
Hydraulic, wet multiple discs (each wheel)	•	•
Spring applied hydraulic release parking brake (driveshaft mounted)	•	•
Automatic engine brake	•	•
Automatic hydrodynamic transmission retarder	•	•
OTHER		
Automatic lubrication system	•	•
Handrails	•	•
Skid-Resistant Steps	•	•
Body Lift Support	•	•
Fire extinguisher	■	■
First aid kit	■	■
Manuals		
- Operation & Maintenance	•	•
- Parts	•	•
- AEM Safety Manual	•	•
Telematics, 1 Year Subscription	•	•
Vandalism Protection		
- Lockable Panels	•	•
- Lockable Fluid Fill points	•	•
48 Hour Parts Guarantee	•	•
Speed limitation	■	■
Tool kit	■	■
Warning triangle	■	■
Fast fill	■	■
Mud Flaps	■	■

SPECIFICATIONS

Dimensions



		UNIT	MDT30	MDT40
HEIGHT, CABIN	A	in. (mm)	11' 8" (3560)	12' 8" (3850)
LENGTH, OVERALL	B	in. (mm)	31' 4" (9558)	34' 9" (10590)
OVERHANG, FRONT	C	in. (mm)	8' 7" (2650)	9' 1" (2775)
ARTICULATION JOINT - FRONT AXLE	D	in. (mm)	3' 11" (1195)	4' 2" (1275)
ARTICULATION JOINT - REAR AXLE	E	in. (mm)	9' 7" (2916)	10' 5" (3170)
WHEELBASE, REAR TANDEM	F	in. (mm)	5' 10" (1768)	6' 5" (1960)
OVERHANG, REAR	G	in. (mm)	3' 5" (1029)	4' 8" (1410)
GROUND CLEARANCE, FRONT	H	in. (mm)	1' 11" (576)	2' 2" (652)
BODY DUMP CLEARANCE	I	in. (mm)	2' 0" (610)	2' 6" (763)
BODY LOADING CLEARANCE	J	in. (mm)	9' 8" (2946)	11' 0" (3355)
BODY HEIGHT (LOWERED)	K	in. (mm)	11' 3" (3436)	12' 1" (3685)
BODY HEIGHT (RAISED)	L	in. (mm)	19' 4" (5885)	21' 11" (6680)
BODY DUMP ANGLE	M	°	70	70
BODY WIDTH	N	in. (mm)	9' 5" (2875)	11' 2" (3395)
TIRE WIDTH	O	in. (mm)	9' 10" (2990)	11' 5" (3475)
TREAD WIDTH	P	in. (mm)	7' 9" (2370)	8' 10" (2690)
GROUND CLEARANCE, REAR	Q	in. (mm)	1' 11" (576)	2' 4" (706)
BODY FLOOR HEIGHT	R	in. (mm)	6' 11" (2100)	7' 10" (2390)
TURNING RADIUS, INSIDE	S	in. (mm)	12' 9" (3890)	13' 6" (4120)
TURNING CLEARANCE, OUTSIDE	T	in. (mm)	26' 4" (8030)	29' 1" (8850)
ROAD WIDTH, MINIMUM (90° TURN)	U	in. (mm)	17' 4" (5280)	19' 6" (5930)
TURNING RADIUS, OUTSIDE*	V	in. (mm)	25' 2" (7680)	27' 8" (8420)

*Turning radius according to ISO 7457

Weight

		UNIT	MDT30	MDT40
WEIGHTS				
GROSS WEIGHT		lb. (kg)	113,318 (51,400)	158,292 (71,800)
NET WEIGHT		lb. (kg)	51,588 (23,400)	70,107 (31,800)
PAY LOAD		lb. (kg)	61,729 (28,000)	88,185 (40,000)
EMPTY	FRONT AXLE	lb. (kg)	26,235 (11,900)	31,967 (14,500)
	REAR AXLE	lb. (kg)	25,353 (11,500)	38,140 (17,300)
LOADED	FRONT AXLE	lb. (kg)	36,597 (16,600)	49,070 (22,258)
	REAR AXLE	lb. (kg)	76,721 (34,800)	109,221 (49,542)
WEIGHT DISTRIBUTION, EMPTY		FRONT/REAR	%	51 / 49
WEIGHT DISTRIBUTION, LOADED		FRONT/REAR	%	31 / 69
NOTE: All weights include a full tank and operator				
GROUND PRESSURES				
EMPTY	FRONT AXLE	psi (bar)	15.0 (1.0)	12.8 (0.88)
	REAR AXLE	psi (bar)	7.7 (0.53)	7.0 (0.48)
LOADED	FRONT AXLE	psi (bar)	20.5 (1.41)	18.9 (1.3)
	REAR AXLE	psi (bar)	23.5 (1.62)	22.0 (1.52)
Measured with standard tires with 15% sinkage				
POWER (NET) TO WEIGHT RATIO				
EMPTY		hp/t (kW/t)	16.7 (11.45)	13.98 (11.32)
LOADED		hp/t (kW/t)	6.44 (5.2)	6.19 (5.01)

General

	UNIT	MDT30	MDT40
ENGINE			
MODEL		Scania DC9	Scania DC13
NUMBER OF CYLINDERS	INLINE	5	6
POWER RATING GROSS (HP per ISO 3046)	hp (kW) @ rpm	375 (276) @ 2100	500 (368) @ 2100
POWER RATING NET (HP per ISO 9249)	hp (kW) @ rpm	365 (268) @ 2100	490 (360) @ 2100
MAXIMUM TORQUE GROSS	ft.-lb. (Nm) @ rpm	1381 (1873) @ 1,300	1750 (2373) @ 1,300
PISTON DISPLACEMENT	in. ³ (L)	568 (9.3)	775 (12.7)
BORE AND STROKE	in. x in. (mm x mm)	5.0 x 5.5 (127 x 140)	5.1 x 6.3 (130 x 160)
STARTER	V, hp (Kw)	24, 7.5 (5.5)	24, 7.5 (5.5)
BATTERY	V, AH	2 x 12, 140	2 x 12, 225
ALTERNATOR	V, amp	24V, 100	24V, 100
AIR CLEANER		Double Element, Dry	Double Element, Dry
HYDRAULICS			
MAIN PUMP	gpm (L/min)	80.6 (305)	80.6 (305)
RELIEF PRESSURE (MAIN)	psi (bar)	4061 (280)	4061 (280)
EMERGENCY STEER PUMP	gpm (L/min)	13.2 (50)	13.2 (50)
RELIEF PRESSURE (EMER. STEER)	psi (bar)	3046 (210)	3046 (210)
ENVIRONMENT			
SOUND LEVEL (per ISO6395)	dB(A)	108	107
CABIN SOUND LEVEL (per ISO 6394)	dB(A)	72	71
TRANSMISSION SPEEDS			
TRAVEL SPEED - FORWARD (8)	mph (km/h)	3.1 / 5.0 / 6.8 / 9.3 / 13.7 / 18.6 / 26.1 / 34.2 (5 / 8 / 11 / 15 / 22 / 30 / 42 / 55)	3.1 / 5.0 / 6.8 / 9.3 / 13.7 / 18.6 / 26.1 / 34.2 (5 / 8 / 11 / 15 / 22 / 30 / 42 / 55)
TRAVEL SPEED - REVERSE (4)	mph (km/h)	3.1 / 5.0 / 6.8 / 9.9 (5 / 8 / 11 / 16)	3.1 / 5.0 / 5.8 / 9.9 (5 / 8 / 11 / 16)
REFILL CAPACITIES			
FUEL TANK	gal. (L)	88.5 (335)	140 (530)
DIESEL EXHAUST FLUID TANK	gal. (L)	10 (38)	10 (38)
COOLING SYSTEM (RADIATOR)	gal. (L)	11.9 (45)	13.2 (50)
ENGINE OIL	gal. (L)	8.7 (33)	11.6 (44)
TRANSMISSION	gal. (L)	19.8 (75)	19.8 (75)
FRONT DIFFERENTIAL	gal. (L)	3.5 (13.2)	3.5 (13.2)
REAR DIFFERENTIAL	gal. (L)	4.2 (16)	12.2 (46)
FRONT HUB (2)	gal. (L)	2.9 (11)	2.0 (7.5)
TANDEM HOUSING	gal. (L)	12.7 (48)	37.0 (140)
HYDRAULIC TANK	gal. (L)	32.5 (123)	55.2 (209)
BODY			
BODY VOLUME (2:1)	yd ³ (m ³)	23.3 (17.8)	34 (26)
TIPPING TIME	seconds	Up: 10 / Down: 9	Up: 10 / Down: 10
LEVEL CAPACITY	WITH TAILGATE	yd ³ (m ³)	18.6 (14.2)
	WITHOUT TAILGATE	yd ³ (m ³)	17.8 (13.6)
HEAPED CAPACITY	WITH TAILGATE	yd ³ (m ³)	23.3 (17.8)
	WITHOUT TAILGATE	yd ³ (m ³)	22 (16.8)
DENSITY INDEX	lb./yd ³ (kg/m ³)	2468 (1119)	2468 (1119)

Cylinders

	UNIT	MDT30	MDT40
HYDRAULIC CYLINDERS			
BODY TILT CYLINDERS (2)	BORE	in. (mm)	4.5 (115)
	STROKE	in. (mm)	90.2 (2290)
STEERING (2)	BORE	in. (mm)	4.5 (115)
	STROKE	in. (mm)	20.3 (515)